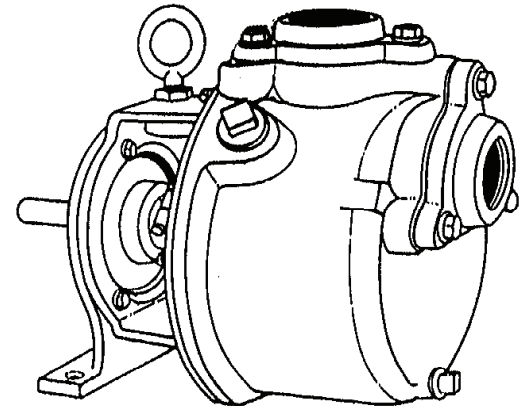


Self-Priming Universal/Electric Driven

Specifications:

SUCTION/DISCHARGE..... 2" X 2" NPT Female
LIQUID TEMPERATURE160°F (71°C) Continuous
VOLUTE/WEARPLATECast Iron ASTM A-48, Class 30,
 Replaceable
CASE.....Cast Iron ASTM A-48, Class 30,
PEDESTAL.....Cast Iron ASTM A-48, Class 30
IMPELLER: Design Open Type, Passes 1/4" Solids
MaterialCast Iron ASTM A-48, Class 30
 Dynamically Balanced, ISO G6.3
IMPELLER SHAFTSteel, Stress Proof
LOCKING COLLAR.....Stainless Steel. Serves as Shaft Slinger
SQUARE RINGSBuna-N
HARDWARECorrosion Resistant Steel
PAINTAir Dry Enamel
SEAL:
DesignSingle Mechanical
LubricationGrease, with Self-Feeding Lubricator
MaterialRotating Faces - Carbon
 Stationary Faces - Ceramic
 Elastomer - Buna-N
 Hardware - 300 Series Stainless
BEARING:
Design.....Single Row, Ball
LubricationGrease
Load.....Radial & Thrust
CHECK VALVE:
MaterialValve Flap-Neoprene
 Weight-Cast Iron ASTM A-48, Class 30
OPTIONAL EQUIPMENT.....Seal Material, Case Heater, Stainless
 Hardware; High Temperature Control; Flex Coupled Assy., with Base &
 OSHA Guard; Right Hand V-Belt Drive Assy., Left Hand V-Belt Drive Assy.,
 and In-Line Vertical V-Belt Drive Assy., with Base, Motor Adjusting Base &
 OSHA Guard.



Series: BH7

DESCRIPTION:

SELF-PRIMING CENTRIFUGAL PUMPS
 DESIGNED FOR MARINE, MUNICIPAL AND
 INDUSTRIAL APPLICATIONS



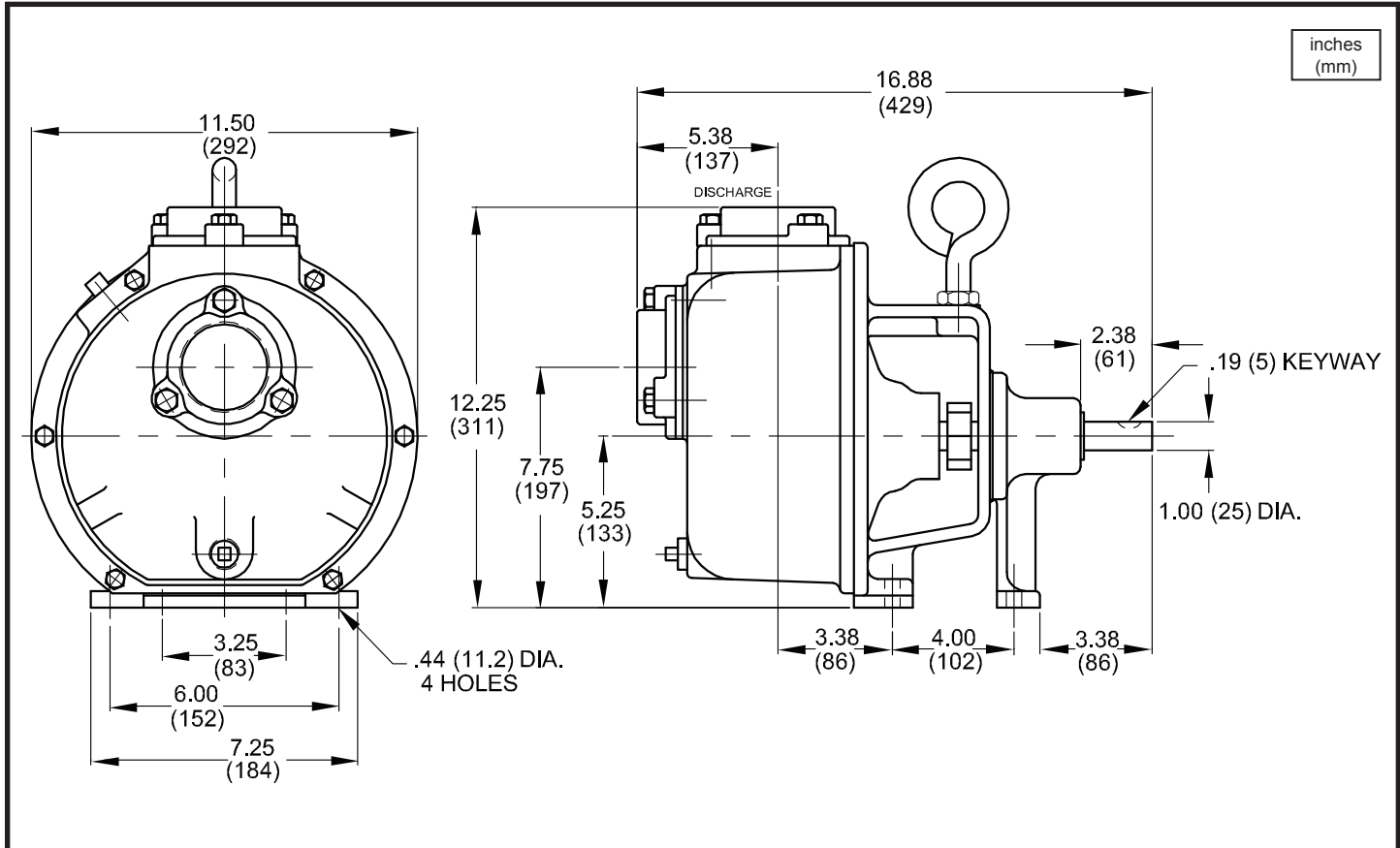
WARNING:
 CANCER AND REPRODUCTIVE HARM -
 WWW.P65WARNINGS.CA.GOV

Series BH7

Pump End
2" NPT



Self-Priming Universal/Electric Driven



MODEL NO	PART NO	WEIGHT NET LBS (kg)	
BH7	2C0UD-0006D-001	93 (42)	

IMPORTANT !

- DO NOT USE FOR PUMPING FLUIDS WITH A FLASH POINT OF LESS THAN 100°F.
- MAKE CERTAIN THAT PUMP AND/OR MOTOR ASSEMBLY AND CONTROLS HAVE THE APPROPRIATE RATINGS FOR THE GIVEN APPLICATION AREA CLASSIFICATION. (ie DIVISION I, AGENCY LISTING ETC.)

SECTION 4E
PAGE 46
DATE 2/11

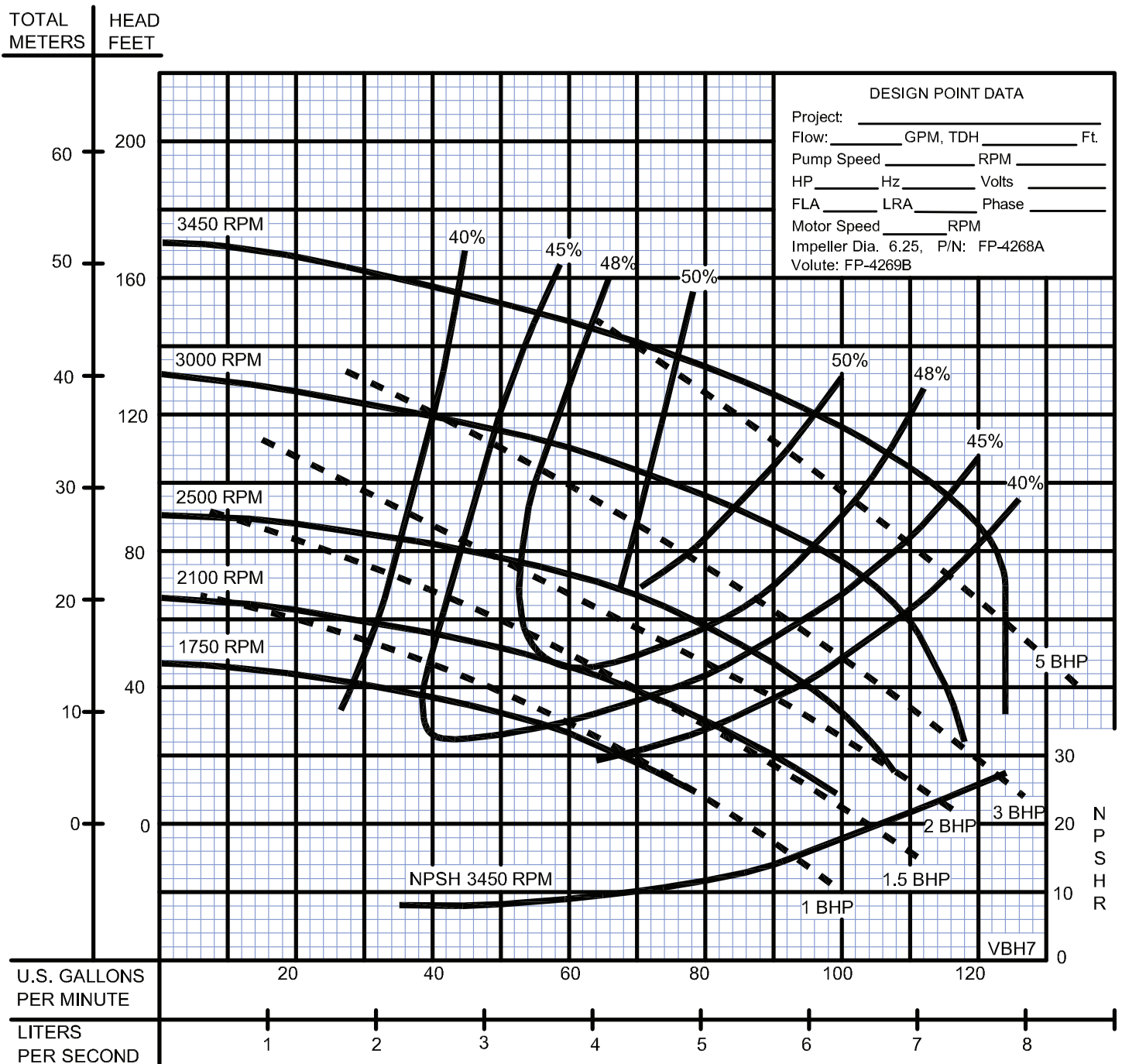
CRANE

A Crane Co. Company

PUMPS & SYSTEMS

USA: (937) 778-8947 • Canada: (905) 457-6223 • International: (937) 615-3598

Self-Priming Universal/Electric Driven



Testing is performed with water, specific gravity 1.0 @ 68° F @ (20°C), other fluids may vary performance

Model: BH7

Horizontal V-Belt Base, Motor Speed: **1750 RPM**
 V-Belt Drive, Sheaves & Bushings, Pump Shaft: **1.00 Dia.**



Self-Priming Universal/Electric Driven

Driven Speed	Speed Ratio	Motor HP	Frame Size	Center Distance	Drive P/N		Driven Speed	Speed Ratio	Motor HP	Frame Size	Center Distance	Drive P/N
3450	1.97	10.0	215T	14.7	091348		2200	1.25	3.0	182-184T	14.8	091376
3450	1.97	7.5	213-214T	14.7	091349		2200	1.25	2.0	182T	14.8	091376
							2200	1.25	2.0	145T	14.8	091377
3300	1.89	10.0	215T	15.4	091350							
3300	1.89	7.5	213-214T	15.4	091350		2100	1.20	3.0	182-184T	15.2	091378
							2100	1.20	2.0	182T	15.2	091379
3200	1.83	10.0	215T	15.1	091351		2100	1.20	2.0	145T	15.2	091380
3200	1.83	7.5	213-214T	15.1	091352							
							2000	1.14	3.0	182-184T	15.1	091381
3100	1.77	10.0	215T	14.7	091353		2000	1.14	2.0	182T	15.3	091382
3100	1.77	7.5	213-214T	14.7	091353		2000	1.14	2.0	145T	15.3	091383
3100	1.77	5.0	213T	14.7	091354		2000	1.14	1.5	145T	15.3	091383
3100	1.77	5.0	184T	14.7	091355							
							1900	1.09	3.0	182-184T	14.5	091384
3000	1.70	7.5	213-214T	15.4	091356		1900	1.09	2.0	182T	14.5	091385
3000	1.70	5.0	213T	15.4	091356		1900	1.09	2.0	145T	14.5	091386
3000	1.70	5.0	184T	15.4	091357		1900	1.09	1.5	145T	14.5	091386
2900	1.66	7.5	213-214T	14.9	091358		1750	1.0	2.0	182T	15.1	091387
2900	1.66	5.0	213T	14.9	091358		1750	1.0	2.0	145T	15.1	091388
2900	1.66	5.0	184T	14.9	091359		1750	1.0	1.5	145T	15.1	091388
							1750	1.0	1.0	143T	15.1	091388
2800	1.60	7.5	213-214T	15.7	091360							
2800	1.60	5.0	213T	15.7	091360							
2800	1.60	5.0	184T	15.7	091361							
2700	1.55	7.5	213-214T	15.2	091362							
2700	1.55	5.0	213T	15.2	091362							
2700	1.55	5.0	184T	15.2	091363							
2600	1.49	7.5	213-214T	14.7	091364							
2600	1.49	5.0	213T	14.7	091364							
2600	1.49	5.0	184T	14.7	091365							
2600	1.49	3.0	182-184T	14.7	091366							
2500	1.43	5.0	213T	14.9	091367							
2500	1.43	5.0	184T	14.9	091368							
2500	1.43	3.0	182-184T	14.9	091369							
2400	1.37	5.0	213T	15.7	091370							
2400	1.37	5.0	184T	15.7	091371							
2400	1.37	3.0	182-184T	15.7	091372							
2300	1.31	5.0	213T	15.5	091373							
2300	1.31	5.0	184T	15.5	091374							
2300	1.31	3.0	182-184T	14.6	091375							



Model: BH7

Horizontal V-Belt Base, Motor Speed: **3450 RPM**
 V-Belt Drive, Sheaves & Bushings, Pump Shaft: **1.00 Dia.**

Self-Priming Universal/Electric Driven

Driven Speed	Speed Ratio	Motor HP	Frame Size	Center Distance	Drive P/N		Driven Speed	Speed Ratio	Motor HP	Frame Size	Center Distance	Drive P/N
3450	1.00	10.0	215T	14.8	091389		2200	1.57	3.0	182-184T	14.7	091421
3450	1.00	7.5	213-214T	14.8	091389		2200	1.57	2.0	182T	14.7	091422
							2200	1.57	2.0	145T	14.7	091323
3300	1.05	10.0	215T	14.8	091390							
3300	1.05	7.5	213-214T	14.8	091390		2100	1.62	3.0	182-184T	15.5	091424
							2100	1.62	2.0	182T	15.5	091424
3200	1.07	10.0	215T	14.9	091391		2100	1.62	2.0	145T	15.5	091425
3200	1.07	7.5	213-214T	14.9	091392							
							2000	1.71	3.0	182-184T	15.3	091426
3100	1.11	10.0	215T	15.0	091393		2000	1.71	2.0	182T	15.3	091426
3100	1.11	7.5	213-214T	15.0	091393		2000	1.71	2.0	145T	15.3	091427
3100	1.11	5.0	213T	15.0	091394		2000	1.71	1.5	145T	15.3	091427
3100	1.11	5.0	184T	15.0	091395							
							1900	1.80	3.0	182-184T	15.1	091428
3000	1.15	7.5	213-214T	15.5	091396		1900	1.80	2.0	182T	15.1	091428
3000	1.15	5.0	213T	15.5	091397		1900	1.80	2.0	145T	15.1	091429
3000	1.15	5.0	184T	15.5	091398		1900	1.80	1.5	145T	15.1	091429
2900	1.19	7.5	213-214T	14.8	091399		1750	1.95	2.0	182T	14.7	091430
2900	1.19	5.0	213T	14.8	091400		1750	1.95	2.0	145T	14.7	091431
2900	1.19	5.0	184T	14.8	091401		1750	1.95	1.5	145T	14.7	091431
							1750	1.95	1.0	143T	14.7	091431
2800	1.23	7.5	213-214T	15.3	091402							
2800	1.23	5.0	213T	15.3	091403							
2800	1.23	5.0	184T	15.3	091404							
2700	1.28	7.5	213-214T	15.3	091405							
2700	1.28	5.0	213T	15.3	091406							
2700	1.28	5.0	184T	15.3	091407							
2600	1.31	7.5	213-214T	15.5	091408							
2600	1.31	5.0	213T	14.9	091409							
2600	1.31	5.0	184T	14.9	091410							
2600	1.31	3.0	182-184T	14.9	091411							
2500	1.38	5.0	213T	14.4	091412							
2500	1.38	5.0	184T	14.4	091413							
2500	1.38	3.0	182-184T	14.4	091414							
2400	1.44	5.0	213T	15.2	091415							
2400	1.44	5.0	184T	15.2	091416							
2400	1.44	3.0	182-184T	15.2	091417							
2300	1.49	5.0	213T	14.6	091418							
2300	1.49	5.0	184T	14.6	091419							
2300	1.49	3.0	182-184T	14.6	091420							